



3-Position, Vertical Back 732-0132



4 Leg, Horizontal Back 702-0142



3-Position, Radial Back 702-0130



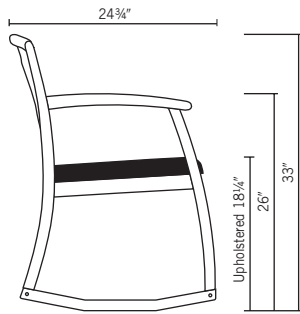
4 Leg 732-0144
Shown with 10 Natural Finish
Occasion – Tide Fabric

Mission Seating is a contemporary statement of form and functionality, possessing the grace to be at home in virtually any setting, while providing renowned Sauder Education material quality and construction integrity. Product features and benefits include:

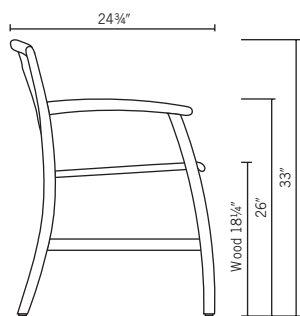
- ❖ Choice of Arm and unique Drop Arm models, each with the design flexibility of three back styles in all wood and upholstered options.
- ❖ 3-Position models provide three distinct / alternative sitting positions for enhanced sitting ergonomics and extended seating comfort.
- ❖ High-quality foam cushions combined with a center cutout of elastomeric sheeting in the seat for exceptional sitting comfort.
- ❖ Selection of standard wood stains, with custom stain colors available.
- ❖ Plybent hardwood design with mortise and tenon joint construction for superior durability.
- ❖ State-of-the-art, environmentally-friendly 3-step finish process for a more durable, longer lasting finish surface.
- ❖ Our 10-year warranty – your assurance of quality and lasting value.

Mission Seating

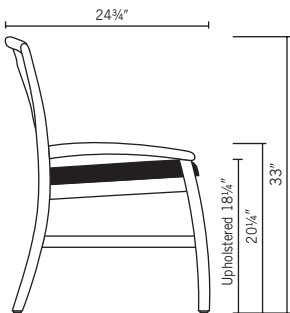
3-POSITION & 4 LEG CHAIRS



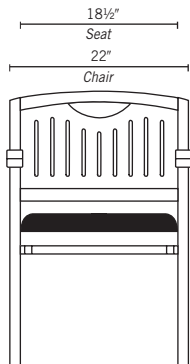
3-Position



Arm



Drop Arm



3-Position and 4 Leg

CONSTRUCTION SPECIFICATIONS

Style	Model	Seat	Back*	Stackability	COM	Chair Weight	Chair/ Carton	Carton Size	Freight Class
3-Position									
Drop Arm	702-0130	W	W	NS	-	17 lbs.	1	24 ¹ / ₂ " x 25" x 34"	#175
Drop Arm	702-0132	U	W	NS	.4 yd	17 lbs.	1	24 ¹ / ₂ " x 25" x 34"	#175
Drop Arm	702-0134	U	U	NS	.7 yd	19 lbs.	1	24 ¹ / ₂ " x 25" x 34"	#175
Arm	732-0130	W	W	NS	-	18 lbs.	1	24 ¹ / ₂ " x 25" x 34"	#175
Arm	732-0132	U	W	NS	.4 yd	18 lbs.	1	24 ¹ / ₂ " x 25" x 34"	#175
Arm	732-0134	U	U	NS	.7 yd	20 lbs.	1	24 ¹ / ₂ " x 25" x 34"	#175
4 Leg									
Drop Arm	702-0140	W	W	NS	-	16 lbs.	1	24 ¹ / ₂ " x 25" x 34"	#175
Drop Arm	702-0142	U	W	NS	.4 yd	16 lbs.	1	24 ¹ / ₂ " x 25" x 34"	#175
Drop Arm	702-0144	U	U	NS	.7 yd	18 lbs.	1	24 ¹ / ₂ " x 25" x 34"	#175
Arm	732-0140	W	W	NS	-	17 lbs.	1	24 ¹ / ₂ " x 25" x 34"	#175
Arm	732-0142	U	W	NS	.4 yd	17 lbs.	1	24 ¹ / ₂ " x 25" x 34"	#175
Arm	732-0144	U	U	NS	.7 yd	19 lbs.	1	24 ¹ / ₂ " x 25" x 34"	#175

* Note all upholstered back models feature a removable front upholstered panel.

Key

U = Upholstered W = Wood NS = Non-Stackable

Wood Species

Beech

Chair Side Frame

Individual components constructed of hardwood laminations are pressed and formed to achieve desired shape, and joined together using mortise and tenon joints. Finished thickness: *Front leg: 1¹/₄"; Rear leg: 1¹/₄"; Arm: 1¹/₂"; Multi-position base: 1¹/₄"; Front to Back rails: 7⁷/₈" x 1³/₈" (solid lumber).*

Seat

Upholstered seat assembly has a removable 1/2" thick panel with a 12³/₄" x 13¹/₄" routed opening covered with an elastomeric sheet and 1 1/2" thick high-quality foam cushion. This removable panel is attached to the seat frame, which is made of four 7⁷/₈" x 1 3/4" solid wood supports joined with mortise and tenon joints to the chair side frame.

Wood seat assembly is a removable panel constructed using hardwood laminations, pressed, formed and finished to 3/8". This removable panel is attached to two solid wood rails 7⁷/₈" x 1 3/4" that are joined to the chair side frame using mortise and tenon joints.

Back

The permanent back assembly is constructed using three components made of hardwood laminations that are pressed, formed and finished. The back is finished to 5/16" and combined with a 1" top and bottom cross rail that are joined to the chair side frame using mortise and tenon joints.

Optional upholstered back panel is a removable 3/16" thick panel constructed of hardwood laminations, pressed and formed to shape with a 1/2" thick high-quality foam cushion. Custom logo available, ask for details.

Glides (4 Leg Models Only)

7/8" Plastikak, beige.

Finish Materials & Methods

First application is an organic pigment, grain enhancing stain. The second application is a high solids catalyzed sealer. After the sealer is dry, it is sanded. Final application is #55 gloss high solids mar-resistant catalyzed finish. Sauder Education finishes are E.P.A. compliant.

COM

Customer's Own Material is estimated yardage based on 54" wide, solid-color fabric. Actual required yardage may vary depending on special instructions for matching direction of pattern. A sample must be submitted to Sauder Education to determine actual yardage needed and any additional upcharge.

Cal TB 133 Specifications

All seating products can pass Cal TB 133 when appropriate materials are specified.

Warranty

Chairs are warranted against defects in materials and workmanship for a period of 10 years from date of delivery.

To Order

1. Specify the Model Number of the desired style and upholstery level. Example: #732-0132.
2. Specify the desired Back Style – vertical (V), horizontal (H), or radial (R).
3. Specify the Finish Color (refer to *Sauder Education Beech Finishes* or provide sample if a color match).
4. If upholstered, specify desired Fabric Pattern and Color.

Note

Fabrics and Finishes shown in this literature were readily available at time of photography. However, Sauder Education cannot guarantee continuing availability of any fabric or finish.

For more seating and table information, contact Sauder Education at:

930 W. Barre Rd.
Archbold, Ohio 43502

1.800.537.1530 ph.
419.446.3697 fax
SauderEducation.com



Business and Institutional Furniture Manufacturers Association

SAUDER | Education