



3-Position 757-8902



Sledbase 757-8884

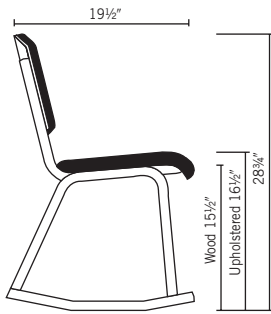


4 Leg 757-3701

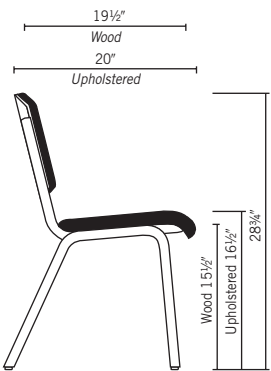


3-Position 757-8984
Shown with 09 Oak Finish
Hush – Surf Fabric

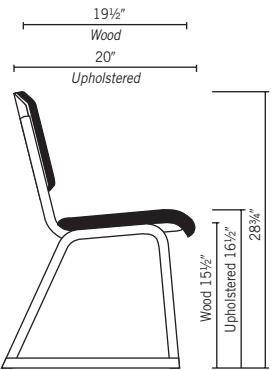
PlyLok jr. Chairs make the grade in elementary school libraries and media centers for durability, function, and comfort. The unique 3-Position model, designed for the way kids sit, offers three distinct sitting positions and is sure to replace “recess” as a “favorite subject”! Product features and benefits include: ❖ Choice of 3-Position, 4 Leg, and Sledbase styles in all wood and upholstered models. ❖ Plybent hardwood design with mortise and tenon joint construction for superior durability. ❖ State-of-the-art, environmentally-friendly 3-step finish process for a more durable, longer lasting finish surface. ❖ Convenient hand hold on back for easy carrying and arranging. ❖ Contoured foam cushions provide extra sitting comfort and are easily removable for cleaning, repair, or replacement. ❖ Selection of standard wood stains, with custom stain colors available. ❖ Our 10-year warranty – your assurance of quality and lasting value.



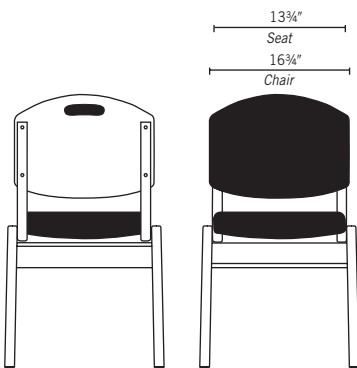
3-Position



4 Leg



Sledbase



3-Position, 4 Leg and Sledbase

CONSTRUCTION SPECIFICATIONS

Style	Model	Seat	Back	Stackability	COM	Chair Weight	Chair/ Carton	Carton Size	Freight Class
3-Position									
Side	757-3900	W	W	NS	-	8 lbs.	2	17 ³ / ₄ " x 26 ¹ / ₄ " x 33 ¹ / ₄ "	#175
Side	757-8984	U	W	NS	.3 yd	9 lbs.	2	17 ³ / ₄ " x 26 ¹ / ₄ " x 33 ¹ / ₄ "	#175
Side	757-8902	U	U/WB	NS	.6 yd	9 lbs.	2	17 ³ / ₄ " x 26 ¹ / ₄ " x 33 ¹ / ₄ "	#175
4 Leg									
Side	757-3701	W	W	3	-	7 lbs.	2	17 ³ / ₄ " x 26 ¹ / ₄ " x 33 ¹ / ₄ "	#175
Side	757-8400	U	W	3	.3 yd	8 lbs.	2	17 ³ / ₄ " x 26 ¹ / ₄ " x 33 ¹ / ₄ "	#175
Side	757-8702	U	U/WB	3	.6 yd	8 lbs.	2	17 ³ / ₄ " x 26 ¹ / ₄ " x 33 ¹ / ₄ "	#175
Sledbase									
Side	757-3705	W	W	NS	-	8 lbs.	2	17 ³ / ₄ " x 26 ¹ / ₄ " x 33 ¹ / ₄ "	#175
Side	757-8884	U	W	NS	.3 yd	9 lbs.	2	17 ³ / ₄ " x 26 ¹ / ₄ " x 33 ¹ / ₄ "	#175
Side	757-8803	U	U/WB	NS	.6 yd	9 lbs.	2	17 ³ / ₄ " x 26 ¹ / ₄ " x 33 ¹ / ₄ "	#175

Key

U = Upholstered W = Wood
NS = Non-Stackable WB = Wood Back

Wood Species

Beech

Legs, Back and Seat Supports

16 plies of 1/16" hardwood laminations, pressed, formed, and finished to 1".

Front and Rear Rails

Solid hardwood 5/8" x 2 1/4" mortise and tenon joined and glued into legs.

Seat

Upholstered seat is a removable panel made of 5 plies of 1/16" hardwood laminations pressed, formed and finished to 5/16" with a 1" thick high-quality foam cushion. Fabric is shaped and secured to contoured seat cushion.

Wood seat is a removable panel made of 5 plies of 1/16" hardwood laminations pressed, formed and finished to 5/16".

Back

Upholstered back is a permanent panel made of 5 plies of 1/16" hardwood laminations pressed, formed and finished to 5/16", with an attached removable panel made of 3 plies of 1/16" hardwood laminations pressed, formed and finished to 3/16" with a 1/2" thick high-quality foam cushion.

Wood back is a removable panel made of 5 plies of 1/16" hardwood laminations pressed, formed and finished to 5/16".

Glides (4 Leg Models Only)

3/4" Plastitak, beige.

Finish Materials & Methods

First application is an organic pigment, grain enhancing stain. The second application is a high solids catalyzed sealer. After the sealer is dry, it is sanded. Final application is #55 gloss high solids mar-resistant catalyzed finish. Sauder Education finishes are E.P.A. compliant.

COM

Customer's Own Material is estimated yardage based on 54" wide, solid-color fabric. Actual required yardage may vary depending on special instructions for matching direction of pattern. A sample must be submitted to Sauder Education to determine actual yardage needed and any additional upcharge.

Cal TB 133 Specifications

All seating products can pass Cal TB 133 when appropriate materials are specified.

Warranty

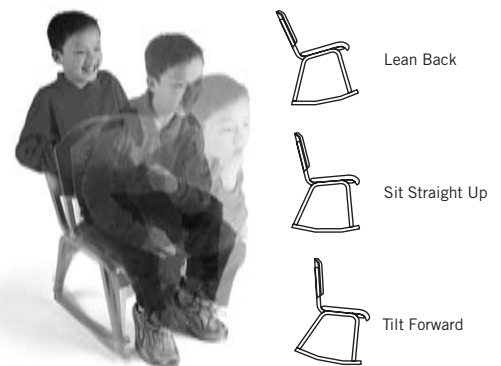
Chairs are warranted against defects in materials and workmanship for a period of 10 years from date of delivery.

Note

Fabrics and Finishes shown in this literature were readily available at time of photography. However, Sauder Education cannot guarantee continuing availability of any fabric or finish.

Designed For The Way Kids Sit

Unique 3-Position Chairs provide "active seating" for kid-conscious comfort.



For more seating and table information, contact Sauder Education at:

930 W. Barre Rd.
Archbold, Ohio 43502

1.800.537.1530 ph.
419.446.3697 fax
SauderEducation.com

SAUDER | Education



Business and Institutional Furniture Manufacturers Association